







**TOTAL BEVERAGE CHOICE, ON TAP**

**ORDER CODES** (Complete bundle)

POUR'D Concentrate 3b  
5001940C3B

FONT	CONTROL BOX	BOILER	CHILLER / CARBONATOR
		<p><b>OPTIONAL</b> MIX UC3 - 220V/110V</p> 	<p><b>OPTIONAL</b> FRIIA</p> 
<p>&gt; POUR'D can be used to dispense beverages from a concentrate or syrup source.</p>		<p>&gt; To dilute with hot water, or &gt; To add separate hot water</p>	<p>&gt; To dilute with either chilled or sparkling water &gt; To add separate chilled/sparkling water</p>

DRINK OPTIONS

POUR'D can be used with:  
Concentrates & Syrups with Max Viscosity of 700 CPS

**BEVERAGE IDEAS** (from concentrate):

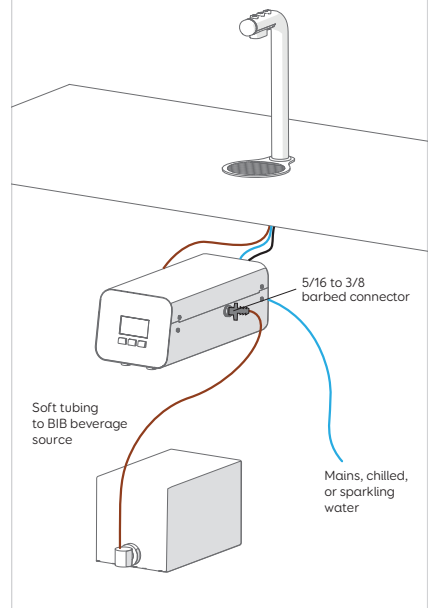
- > Cold coffee
- > Hot coffee (Americano style)
- > Shot coffee concentrate for iced mochas / lattes
- > Sparkling lemonade
- > Iced tea


Minimum 4ml concentrate to 125ml final beverage

Option to add hot water for tea, americano, hot chocolate



**POUR'D SET-UP**



**DILUTION RATIOS:** 5:1 (Minimum Recommended) - 30:1 — Hot 

1:1 - 30:1 — Cold/Sparkling 

# PRODUCT SPECS & PACKAGING INFORMATION



PRODUCT SPECS

	FONT	CONTROL BOX	BOILER		CHILLER / CARBONATOR
	3B POUR'D FONT 1000942	POUR'D Control Box 1001944	MIX UC3 - 110v 1001880US	MIX UC3 - 220v 1000880US	FRIIA 1001860US / 1001861US
Dimensions (D x W x H inches)	6.6 x 4.9 x 11.8 (Incl. drip tray)	15.1 x 6.2 x 5.5 (width not including tubing)	15.1 x 8.2 x 17.4		17.1 x 10.2 x 17.9
Power	—	40W, 0.17A @ 110V	1.4kW @ 110v	2.8kW @ 220v	180W @ 110v
Plumbing	—	3/8" compression, 3/8 or 1/4" push fit	3/8" compression, 3/8 or 1/4" push fit		3/8" compression, 3/8 or 1/4" push fit
GAL/HR	—	—	3.6 GAL	7.3 GAL	7.9-11.8 GALS/hr based on incoming water temp of 59°F and output water temp of 41-44°F
Performance Specs	—	Dilution Range: 1:1 - 30:1	Immediate Draw Off: 0.8 GAL		Cups/HR: 175-235 (ΔT = 18 °F)
Compressor Power	—	—	—	—	1/8hp
Charge	—	—	—	—	45g
Refrigerant	—	—	—	—	R290

PACKAGING

ITEM	PACKAGING DIMENSIONS (L x W x H inches)	WEIGHT	QTY / PALLET
Font	11.4 x 22.4 x 8.4	4.4lb	54
Control Box	16.5 x 10.2 x 13	12.4lb	48/36 (sea/air freight)
MIX UC3 - 220v/110v	17.7 x 11.4 x 21.2	25lbs	24
FRIIA Chiller/Carbonator	19.2 x 11.8 x 20.2	69.4lbs	5

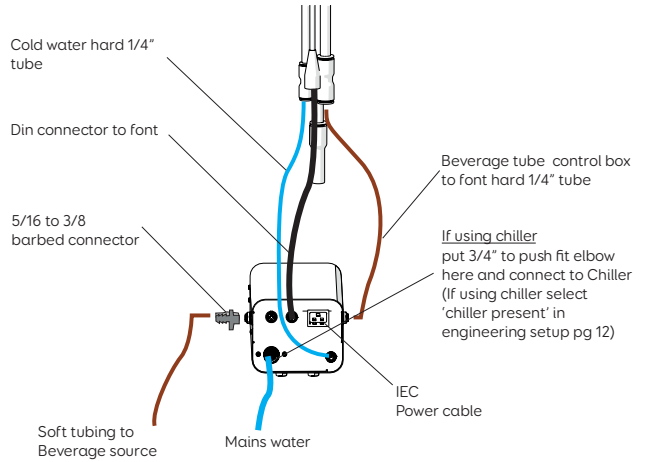
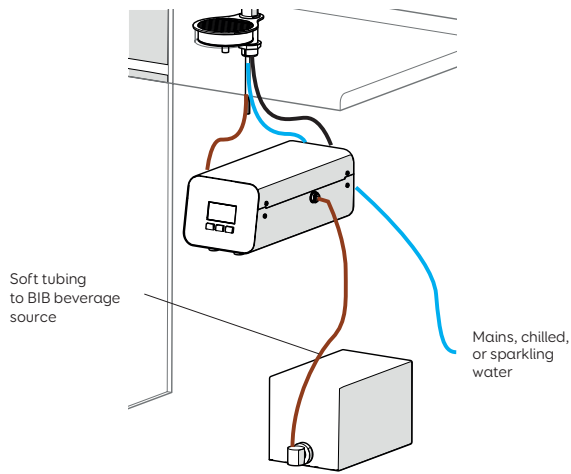
## POUR'D CAN DILUTE/DISPENSE:

Non-Dairy Milks	✓	Dairy Milk	✗
Syrups	✓	Thick Syrup/Molasses (>700 CPS)	✗
Concentrates	✓	Kombucha	✗
Juice (no pulp, <700 CPS)	✓	Powder	✗
RTD Cold Drinks	✓	RTD Hot Drinks	✗

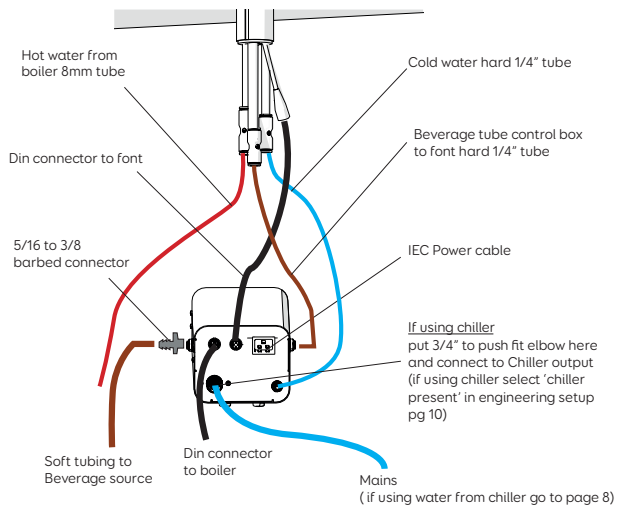
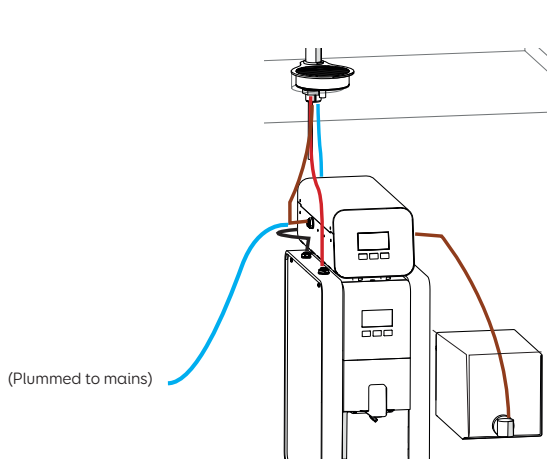


## POUR'D CONCENTRATE 3B 5001940C3B

### Mains Water or Chilled Water from FRIIA



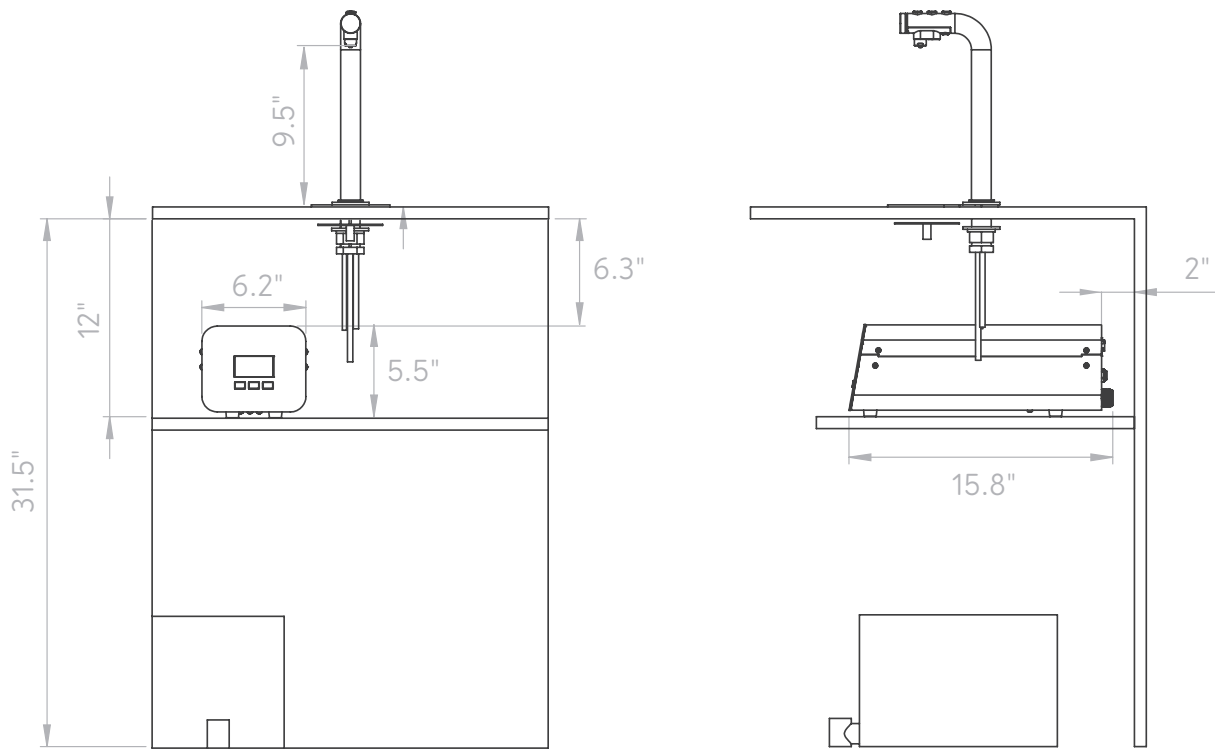
### Mains Water + Hot Water Boiler



# RECOMMENDED SET-UP & CLEARANCE REQUIREMENTS



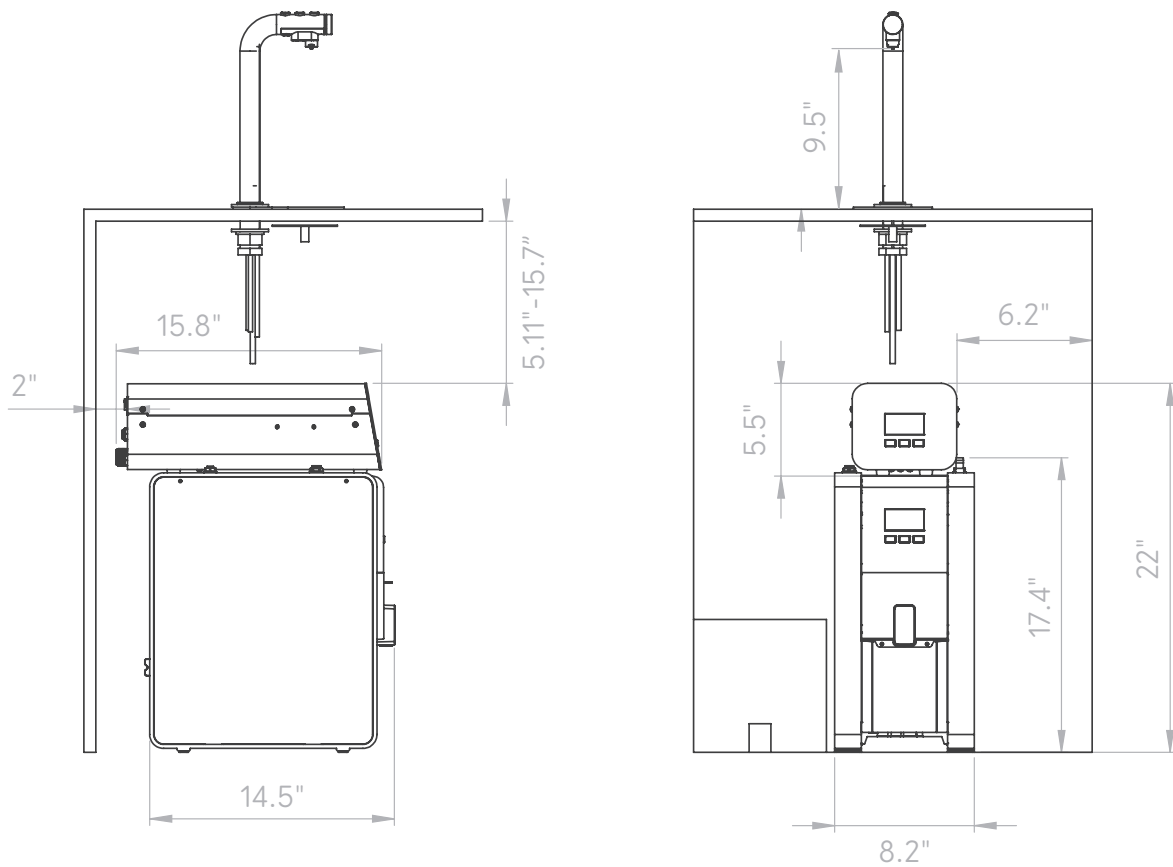
POUR'D



# RECOMMENDED SET-UP & CLEARANCE REQUIREMENTS



POUR'D WITH MIX UC3



# RECOMMENDED SET-UP & CLEARANCE REQUIREMENTS



## POUR'D WITH FRIIA

